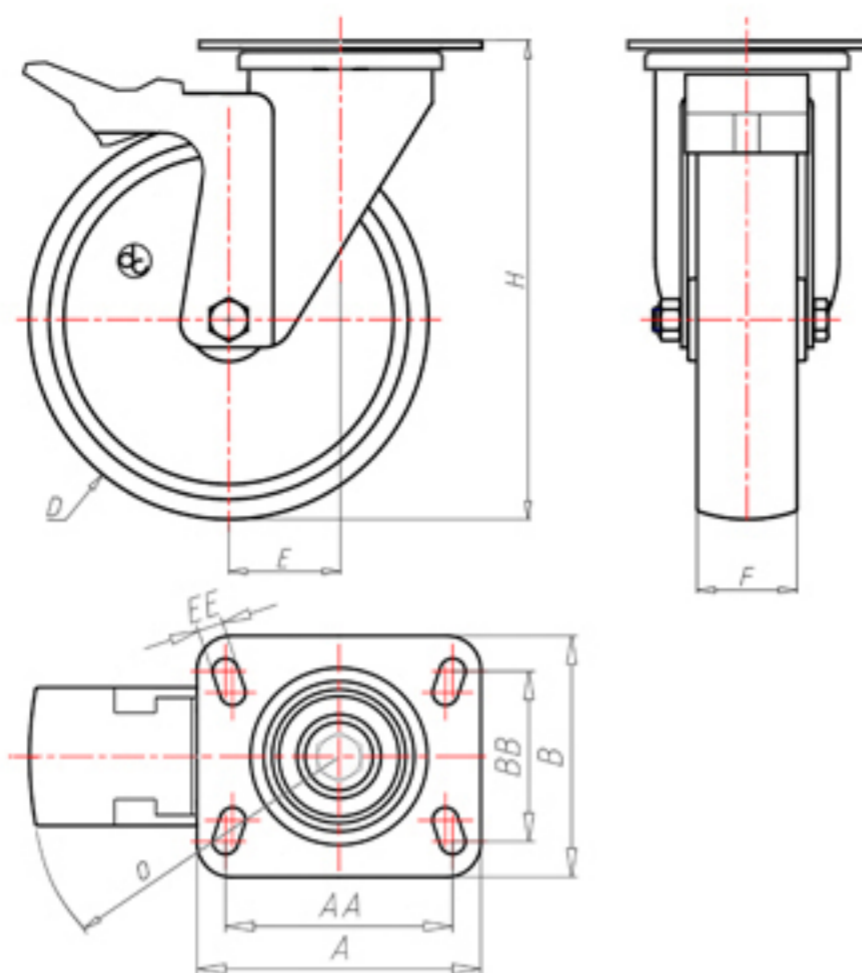


D-NAMIC

92 Shore A
+90°C
-40°C

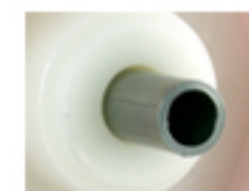
INOX



| | | |
|--|-------|--------|
| | D | 125 |
| | F | 35 |
| | H | 158 |
| | AxB | 100x85 |
| | AAxBB | 80x60 |
| | EE | 9 |
| | E | 44 |
| | O | 124 |
| | LC | 260 |



Code for plain bore wheel
XNGX12545PFA



Code for wheel with Inox roller bearing
XNGX12545PRXFA



Code for wheel with double sealed ball bearing
XNGX125PCFA



Code for wheel with double sealed Inox ball bearing
XNGX125PCXFA

