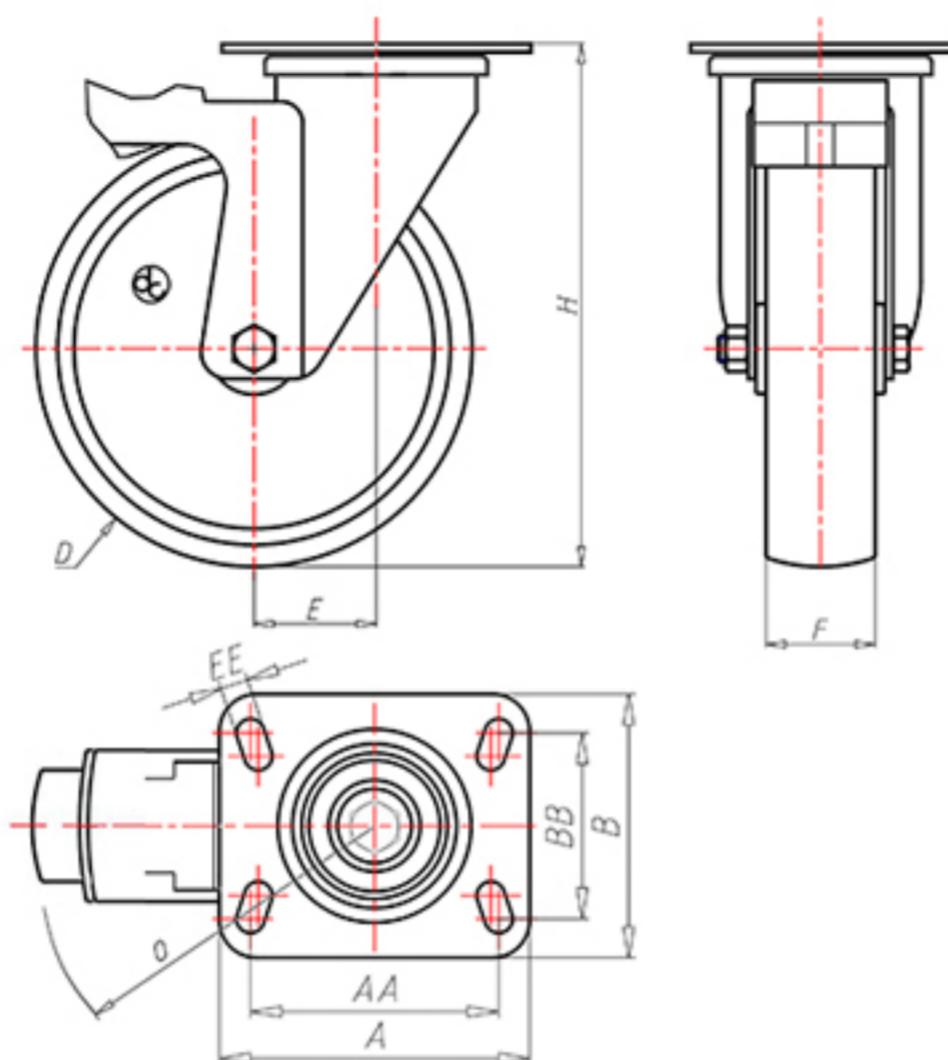


D-NAMIC

92 Shore A  
+90°C  
-40°C

INOX



	D	125
	F	35
	H	158
	AxB	100x85
	AAxBB	80x60
	EE	9
	E	44
	O	124
	LC	260



Code for plain bore wheel

XNGX12545PFS



Code for wheel with Inox roller bearing

XNGX12545PRXFS



Code for wheel with double sealed ball bearing

XNGX125PCFS



Code for wheel with double sealed Inox ball bearing

XNGX125PCXFS

