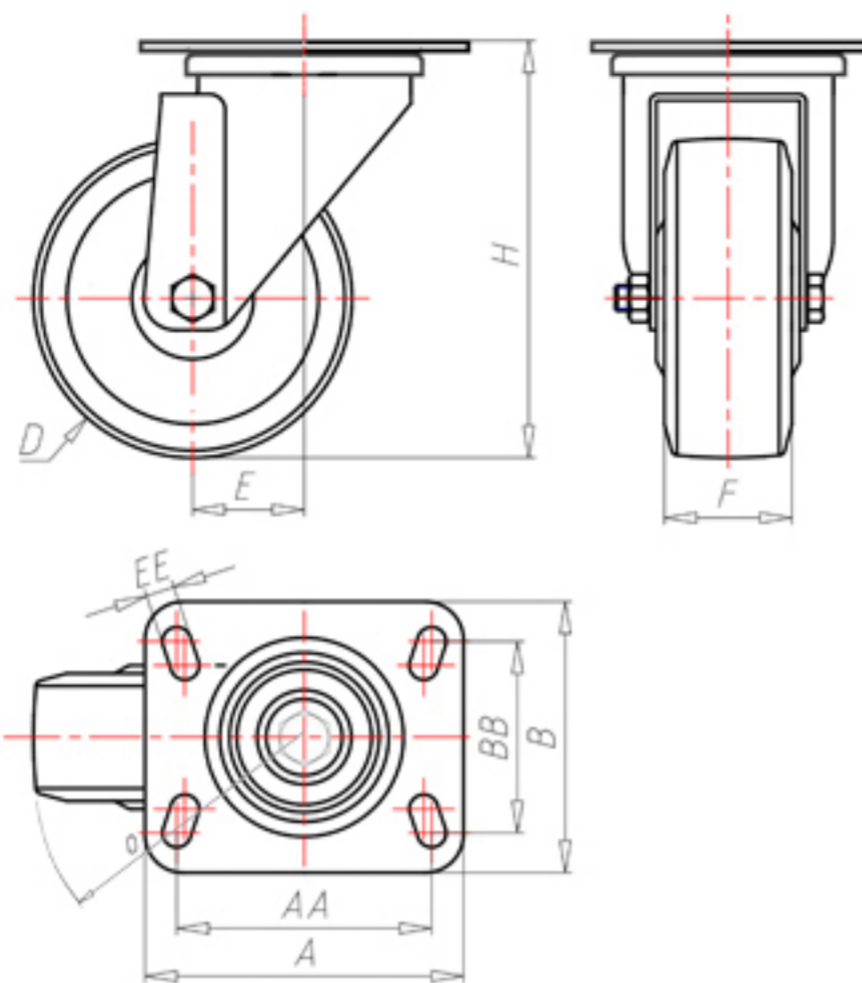


D-NAMIC

92 Shore A
+90°C
-40°C

INOX



| | | |
|--|-------|--------|
| | D | 80 |
| | F | 33 |
| | H | 110 |
| | AxB | 100x85 |
| | AAxBB | 80x60 |
| | EE | 9 |
| | E | 40 |
| | O | 82 |
| | LC | 210 |



Code for plain bore wheel

XNGX8045P



Code for wheel with Inox roller bearing

XNGX8045PRX



Code for wheel with double sealed ball bearing

XNGX80PC



Code for wheel with double sealed Inox ball bearing

XNGX80PCX

