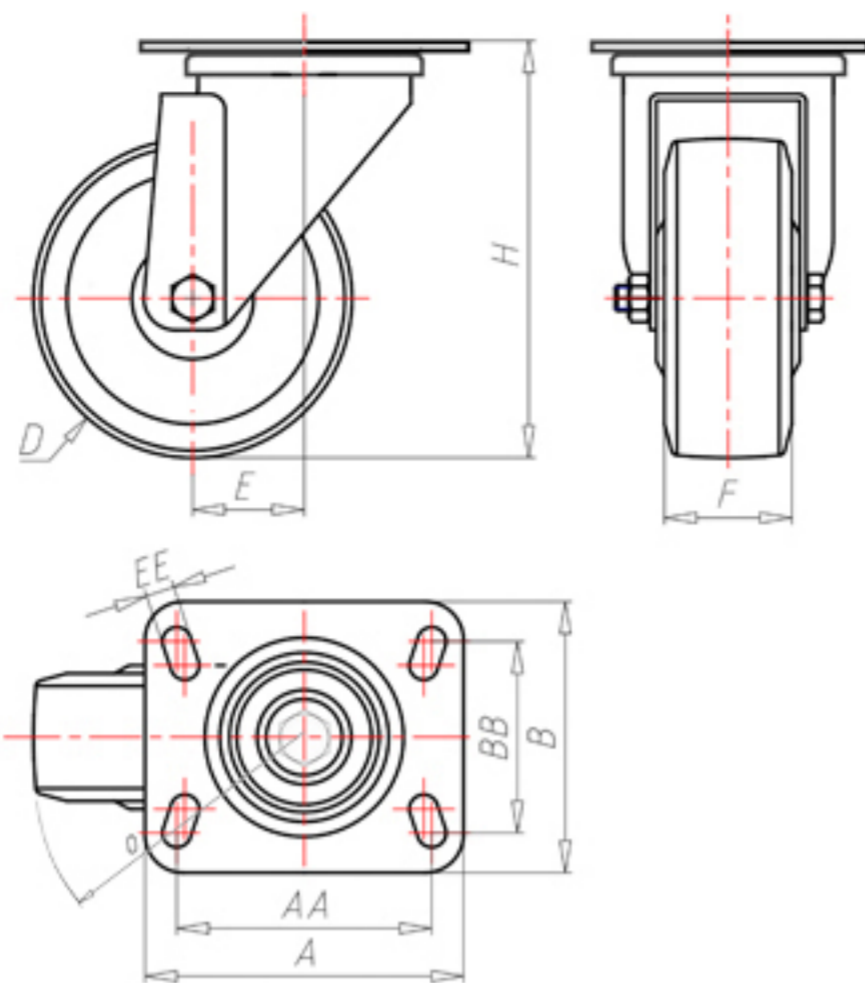


D-NAMIC

92 Shore A
+90°C
-40°C



	D	100
	F	33
	H	131
	AxB	100x85
	AAxBB	80x60
	EE	9
	E	42
	O	92
	LC	250



Code for plain bore wheel

XNGZ10040P



Code for wheel with roller bearing

XNGZ10040PR



Code for wheel with double sealed ball bearing

XNGZ10040PC



Code for wheel with double sealed Inox ball bearing

-

