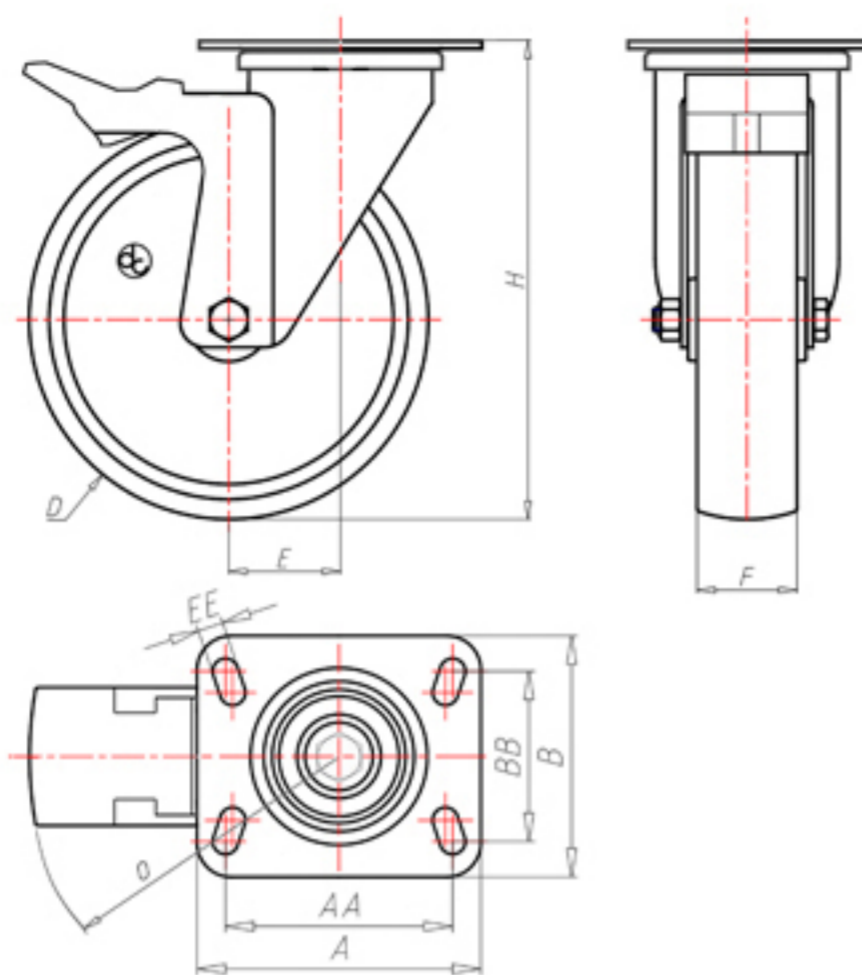


D-NAMIC

92 Shore A  
+90°C  
-40°C



	D	200
	F	50
	H	235
	AxB	135x110
	AAxBB	105x80
	EE	11
	E	56
	O	152
	LC	500



Code for plain bore wheel  
**XNGZ20060PFA**



Code for wheel with roller bearing  
**XNGZ20060PRFA**



Code for wheel with double sealed ball bearing  
**XNGZ200PCFA**



Code for wheel with double sealed Inox ball bearing  
-

