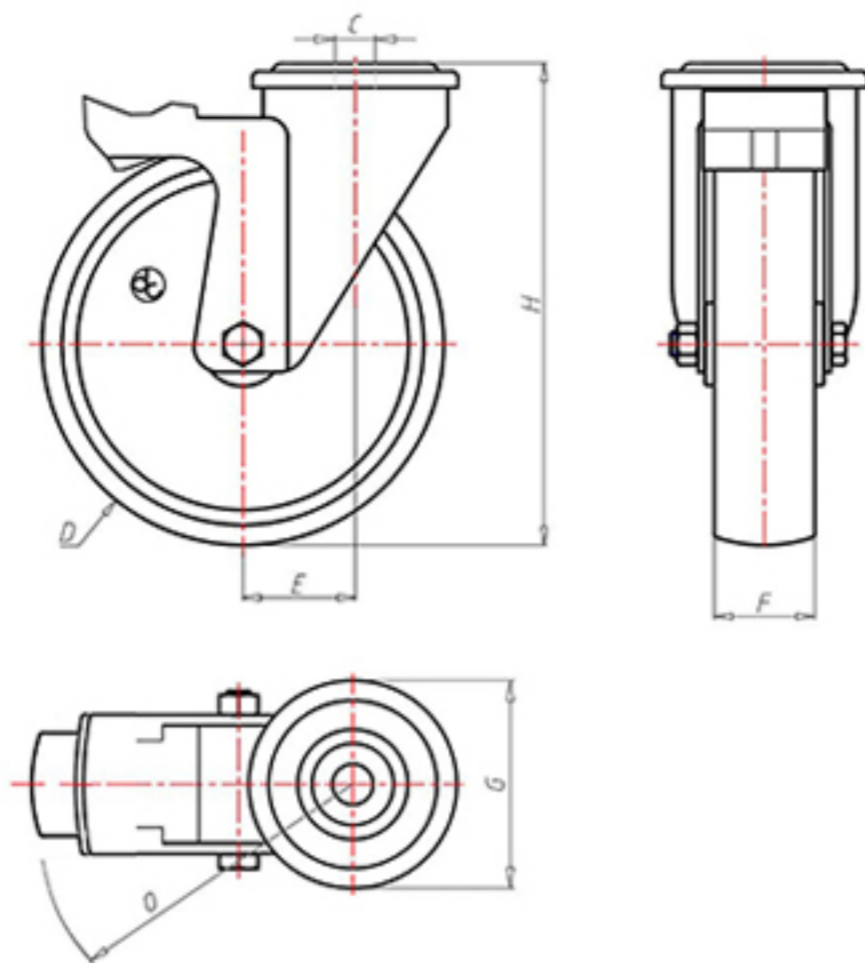


D-NAMIC

92 Shore A
+90°C
-40°C

INOX



	D	100
	F	33
	H	128
	G	Ø 77
	C	Ø 12
	E	42
	O	124
	LC	220



Code for plain bore wheel

XNPX10045FS



Code for wheel with Inox roller bearing

XNPX10045RXFS



Code for wheel with double sealed ball bearing

XNPX100CFS



Code for wheel with double sealed Inox ball bearing

XNPX100CXFS

