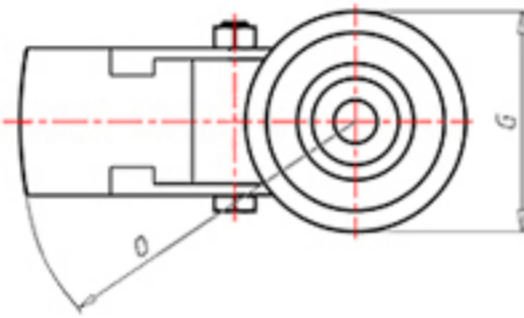
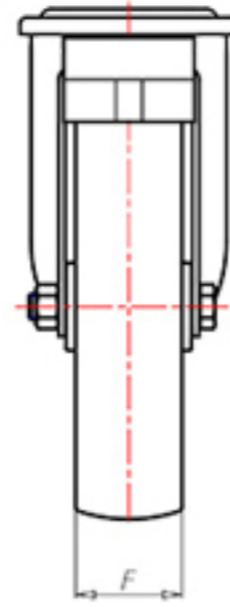
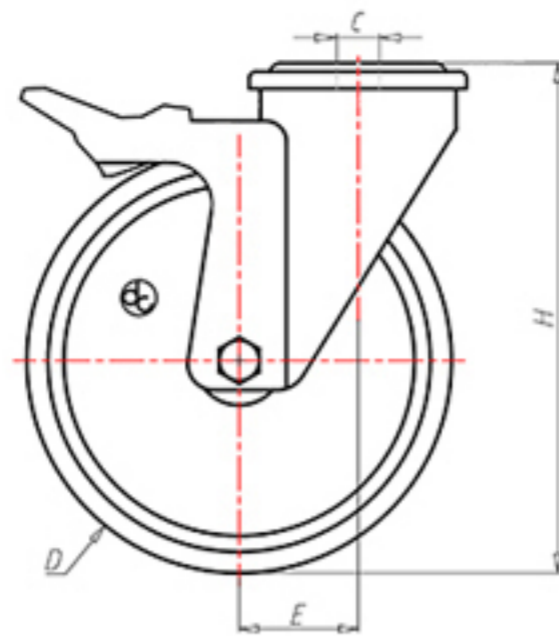


**DITHERM  
XTW**

+400°C  
-50°C

**INOX**



	D	100
	F	35
	H	128
	G	Ø 77
	C	Ø 12
	E	42
	O	124
	LC	220



Code for plain bore wheel

**XPX100FA**



Code for wheel with coated bush

**XPX100BRFA**



Code for wheel with double BT self-lube bush

**XPX100BTFA**



Code for wheel with double HT ball bearing

**XPX100CFA**

