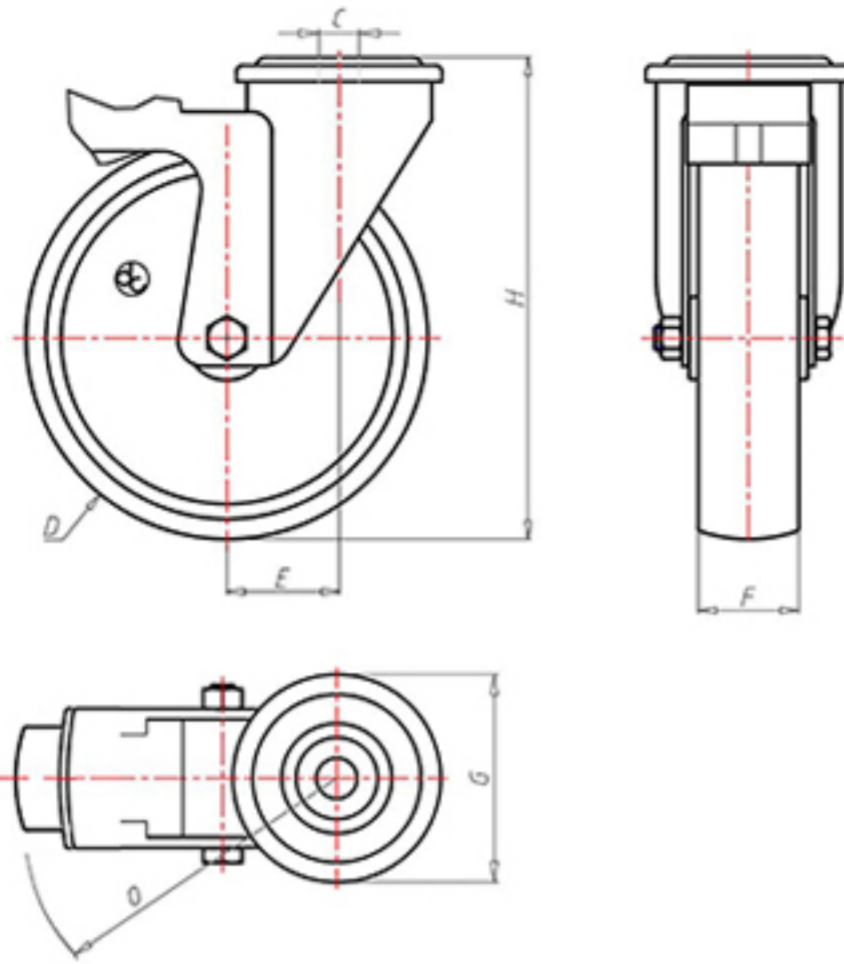


**DITHERM
XTW**

+400°C
-50°C

INOX



	D	100
	F	35
	H	128
	G	Ø 77
	C	Ø 12
	E	42
	O	124
	LC	220



Code for plain bore wheel

XPX100FS



Code for wheel with coated bush

XPX100BRFS



Code for wheel with double BT self-lube bush

XPX100BTFS



Code for wheel with double HT ball bearing

XPX100CFS

