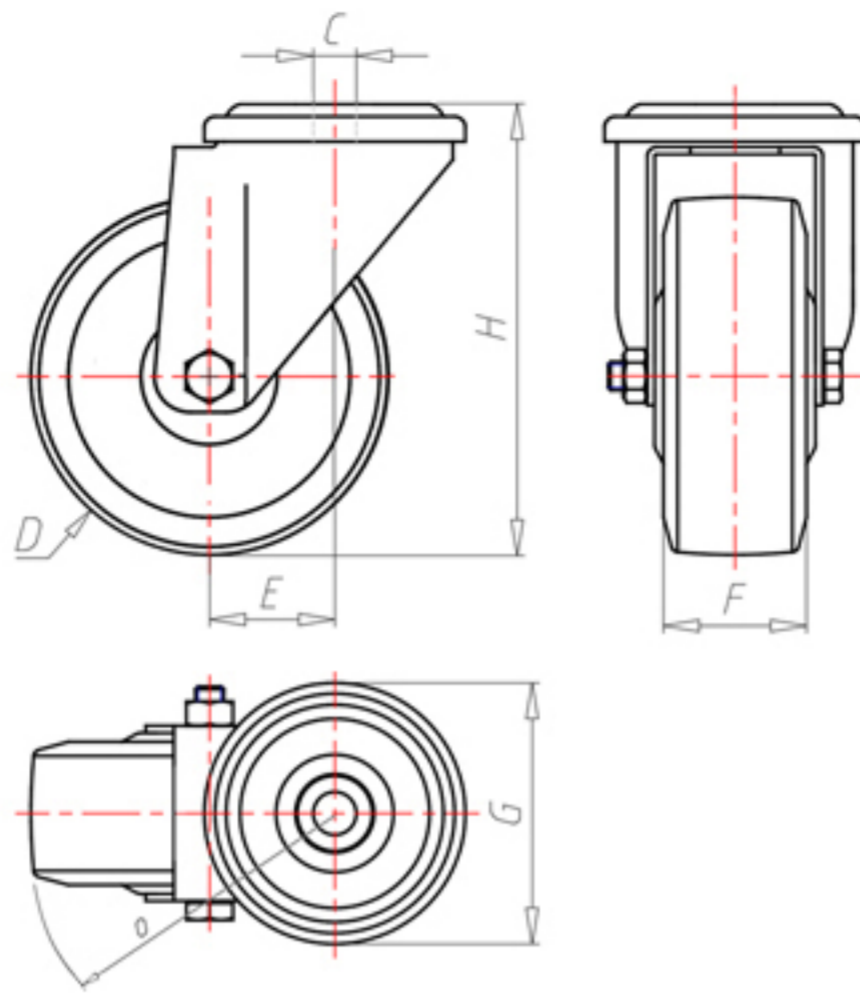


**DITHERM
XTW**

+400°C
-50°C



	D	100
	F	35
	H	128
	G	Ø 77
	C	Ø 12
	E	42
	O	92
	LC	220



Code for plain bore wheel

XPZ100



Code for wheel with coated bush

XPZ100BR



Code for wheel with double BT self-lube bush

XPZ100BT



Code for wheel with double HT ball bearing

XPZ100C

