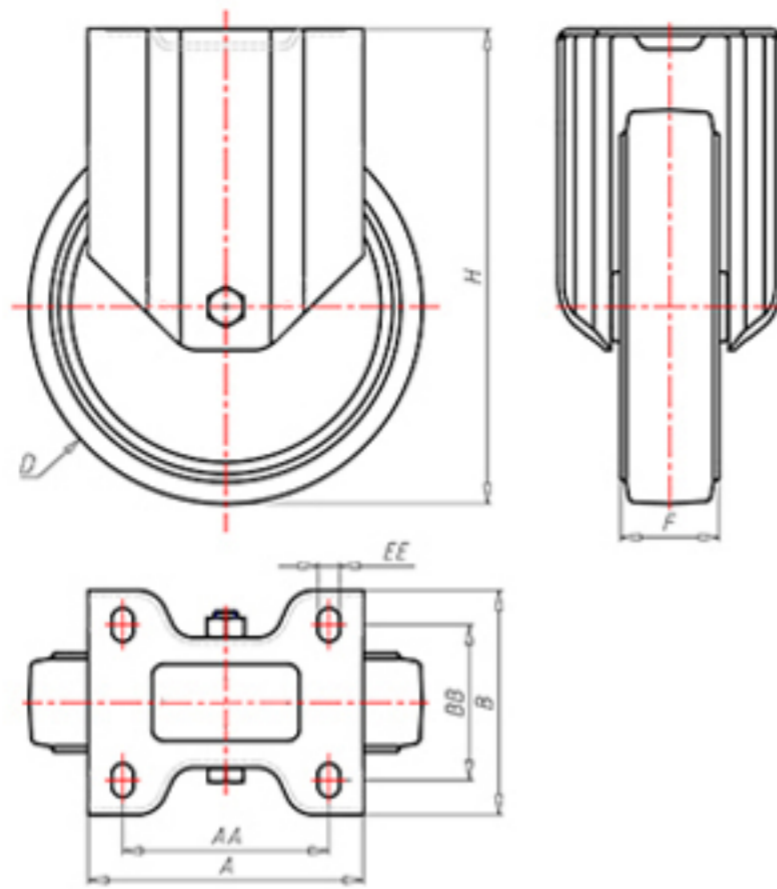


D-FLEX

82 Shore A
+90°C
-40°C

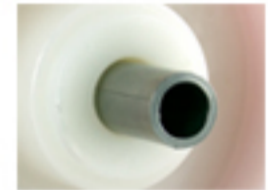


	D	100
	F	33
	H	128
	AxB	100x85
	AAxBB	80x60
	EE	9
	A	
	B	
	LC	250



Code for plain bore wheel

XSFZ10045



Code for wheel with roller bearing

XSFZ10045R



Code for wheel with double sealed ball bearing

XSFZ100C



Code for wheel with double sealed Inox ball bearing

-

