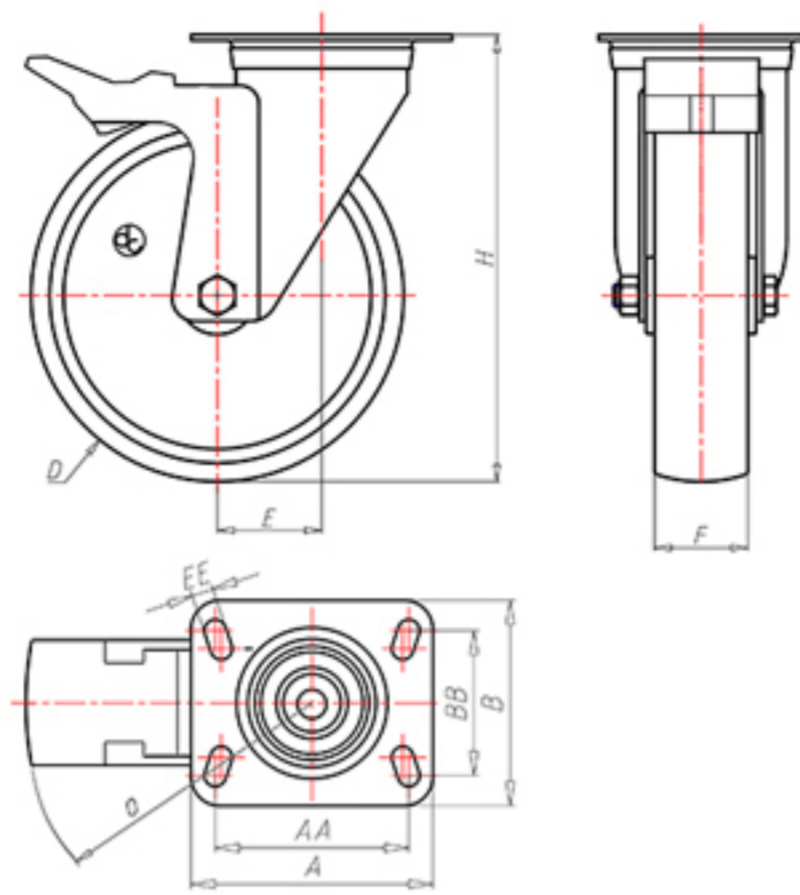


D-FLEX

82 Shore A  
+90°C  
-40°C

INOX

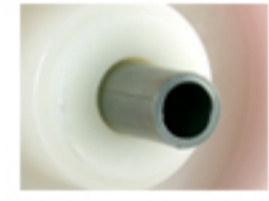


	D	100
	F	33
	H	128
	AxB	100x85
	AAxBB	80x60
	EE	9
	E	42
	O	124
	LC	220



Code for plain bore wheel

XSGX10045FA



Code for wheel with Inox roller bearing

XSGX10045RXFA



Code for wheel with double sealed ball bearing

XSGX100CFA



Code for wheel with double sealed Inox ball bearing

XSGX100CXFA

