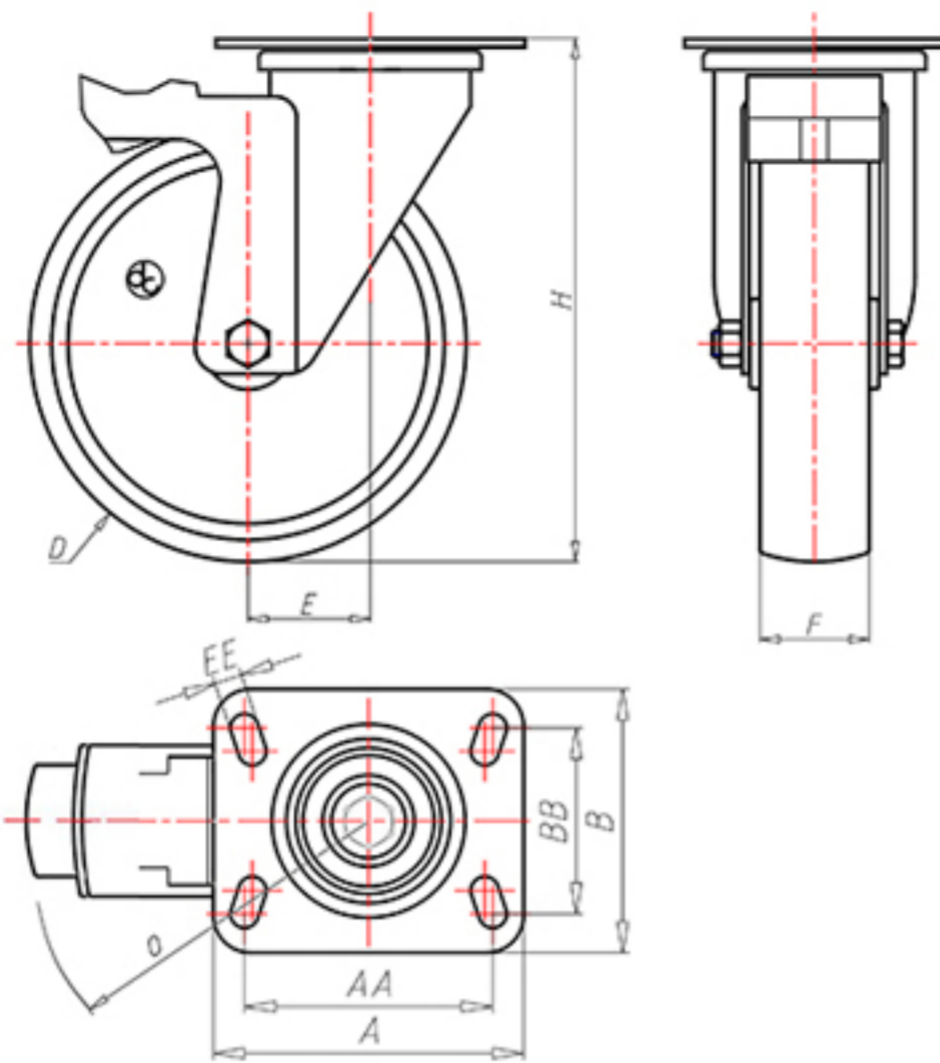


D-FLEX

82 Shore A
+90°C
-40°C

INOX



	D	100
	F	33
	H	131
	AxB	100x85
	AAxBB	80x60
	EE	9
	E	42
	O	104
	LC	250



Code for plain bore wheel
XSGX10045PFS



Code for wheel with Inox roller bearing
XSGX10045PRXFS



Code for wheel with double sealed ball bearing
XSGX100PCFS



Code for wheel with double sealed Inox ball bearing
XSGX100PCXFS

