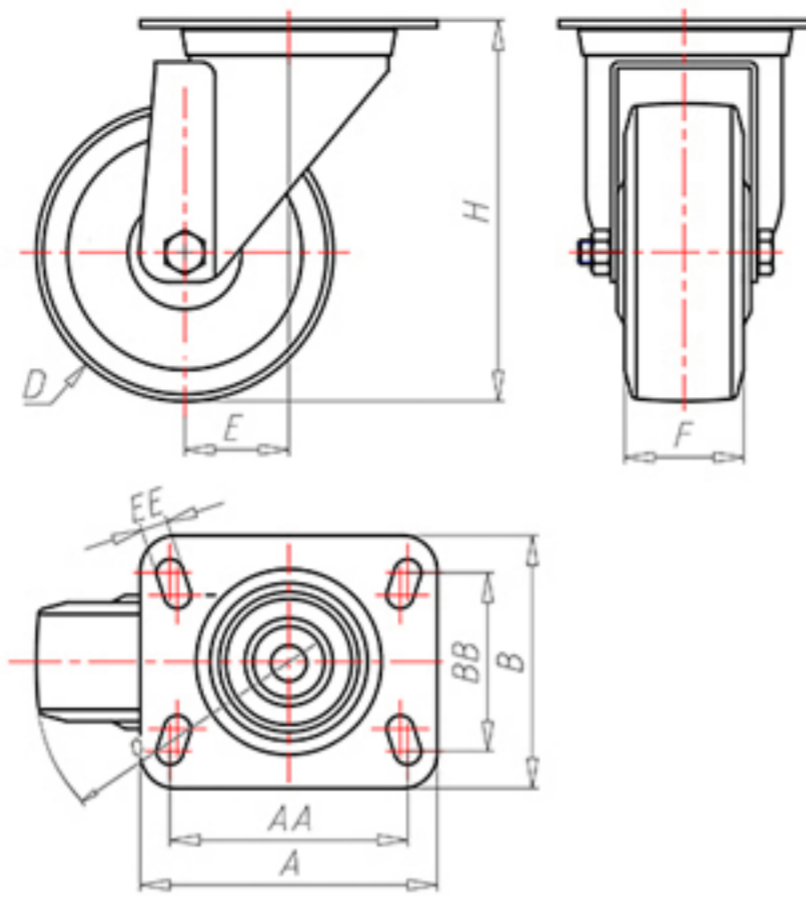


D-FLEX

82 Shore A
+90°C
-40°C

INOX



	D	150
	F	40
	H	181
	AxB	135x110
	AAxBB	105x80
	EE	11
	E	52
	O	120
	LC	350



Code for plain bore wheel

XSGX15060



Code for wheel with Inox roller bearing

XSGX15060RX



Code for wheel with double sealed ball bearing

XSGX15060C



Code for wheel with double sealed Inox ball bearing

XSGX15060CX

