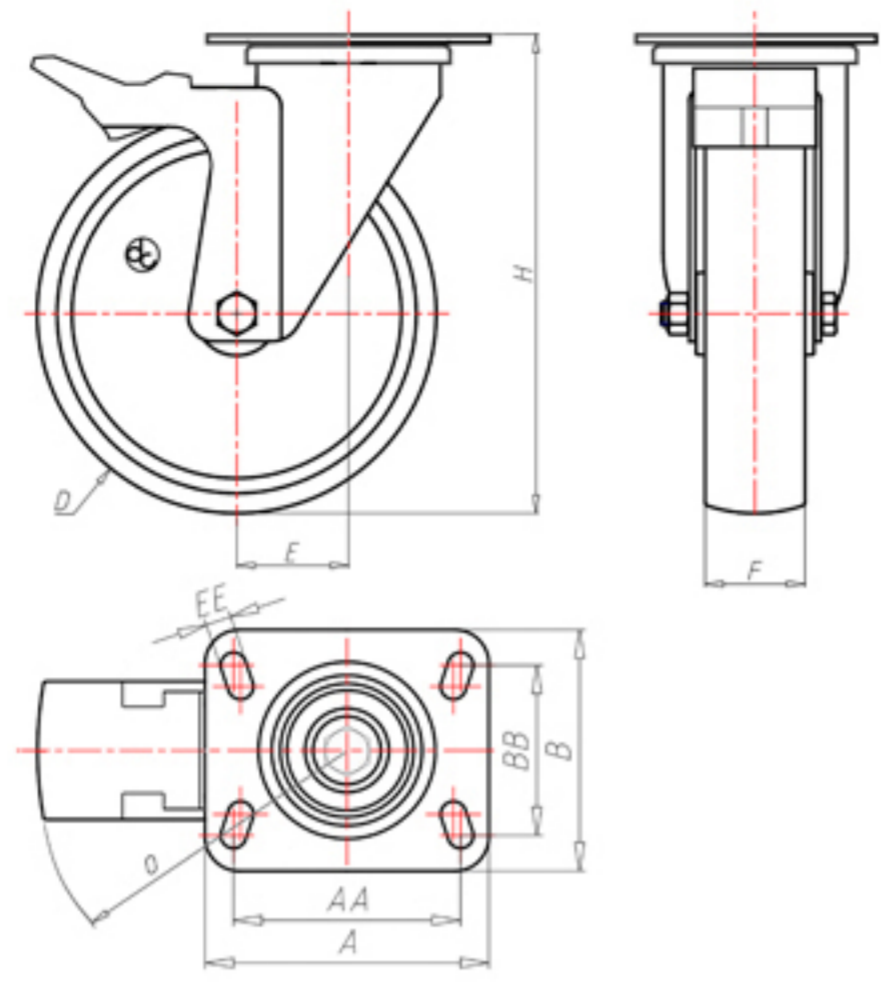


D-FLEX

82 Shore A  
+90°C  
-40°C

INOX

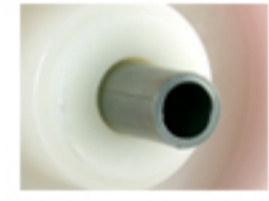


	D	200
	F	50
	H	235
	AxB	135x110
	AAxBB	105x80
	EE	11
	E	56
	O	152
	LC	500



Code for plain bore wheel

XSGX20060PFA



Code for wheel with Inox roller bearing

XSGX20060PRXFA



Code for wheel with double sealed ball bearing

XSGX200PCFA



Code for wheel with double sealed Inox ball bearing

XSGX200PCXFA

