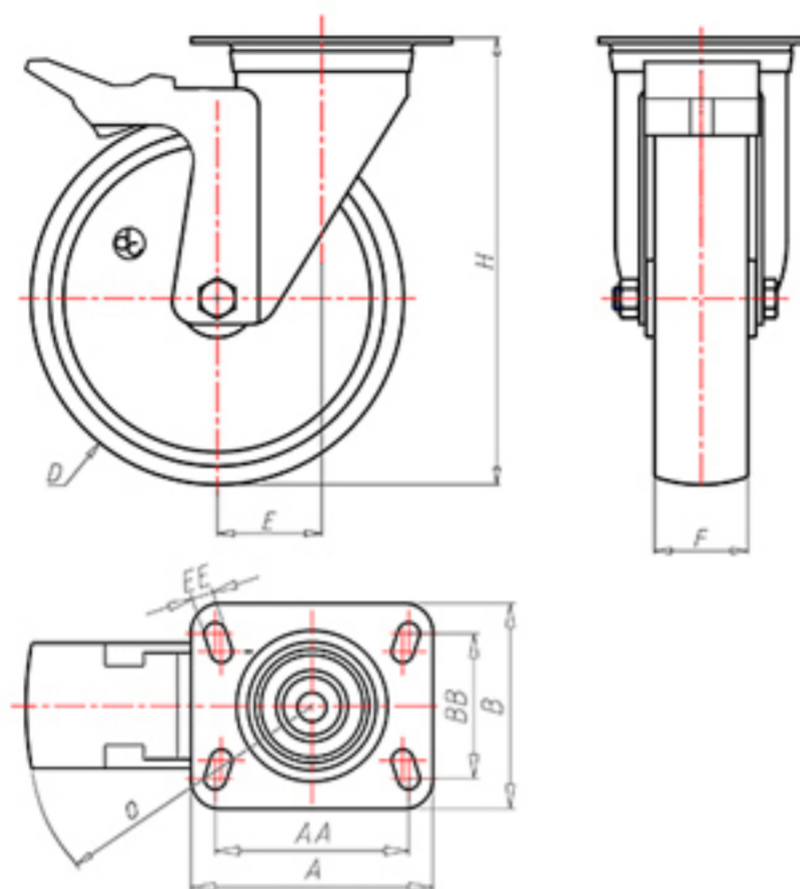


D-FLEX

82 Shore A
+90°C
-40°C

INOX



| | | |
|--|-------|--------|
| | D | 80 |
| | F | 33 |
| | H | 108 |
| | AxB | 100x85 |
| | AAxBB | 80x60 |
| | EE | 9 |
| | E | 40 |
| | O | 124 |
| | LC | 200 |



Code for plain bore wheel

XSGX8040FA



Code for wheel with Inox roller bearing

XSGX8040RXFA



Code for wheel with double sealed ball bearing

XSGX8040CFA



Code for wheel with double sealed Inox ball bearing

XSGX8040CXFA

