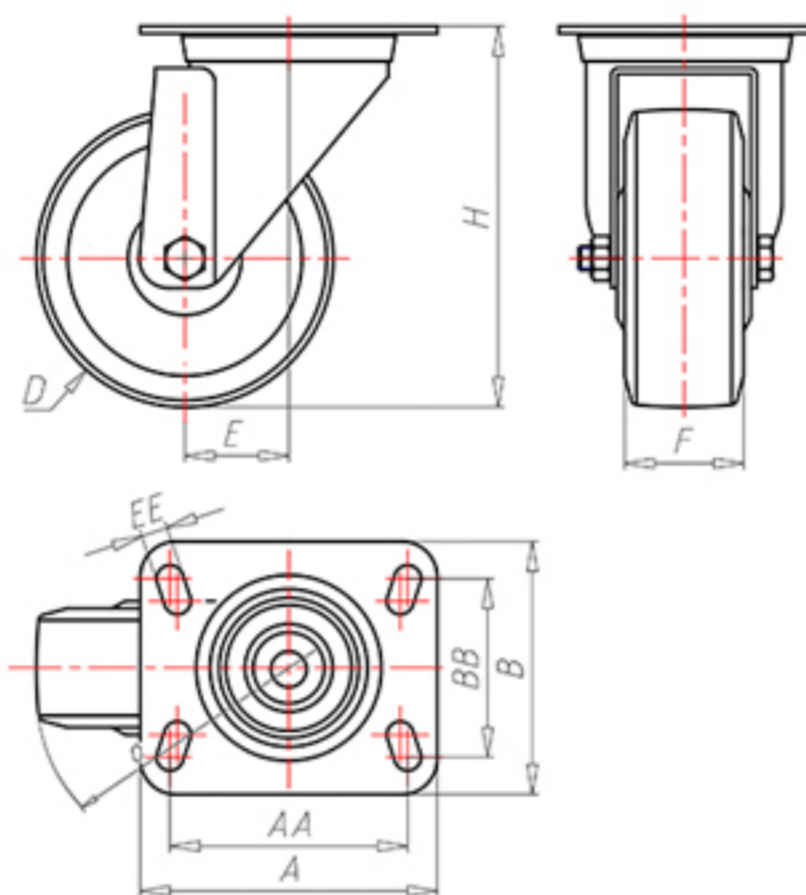


D-FLEX

82 Shore A
+90°C
-40°C



	D	100
	F	33
	H	128
	AxB	100x85
	AAxBB	80x60
	EE	9
	E	42
	O	92
	LC	220



Code for plain bore wheel

XSGZ10045



Code for wheel with Inox roller bearing

XSGZ10045R



Code for wheel with double sealed ball bearing

XSGZ100C



Code for wheel with double sealed Inox ball bearing

-

