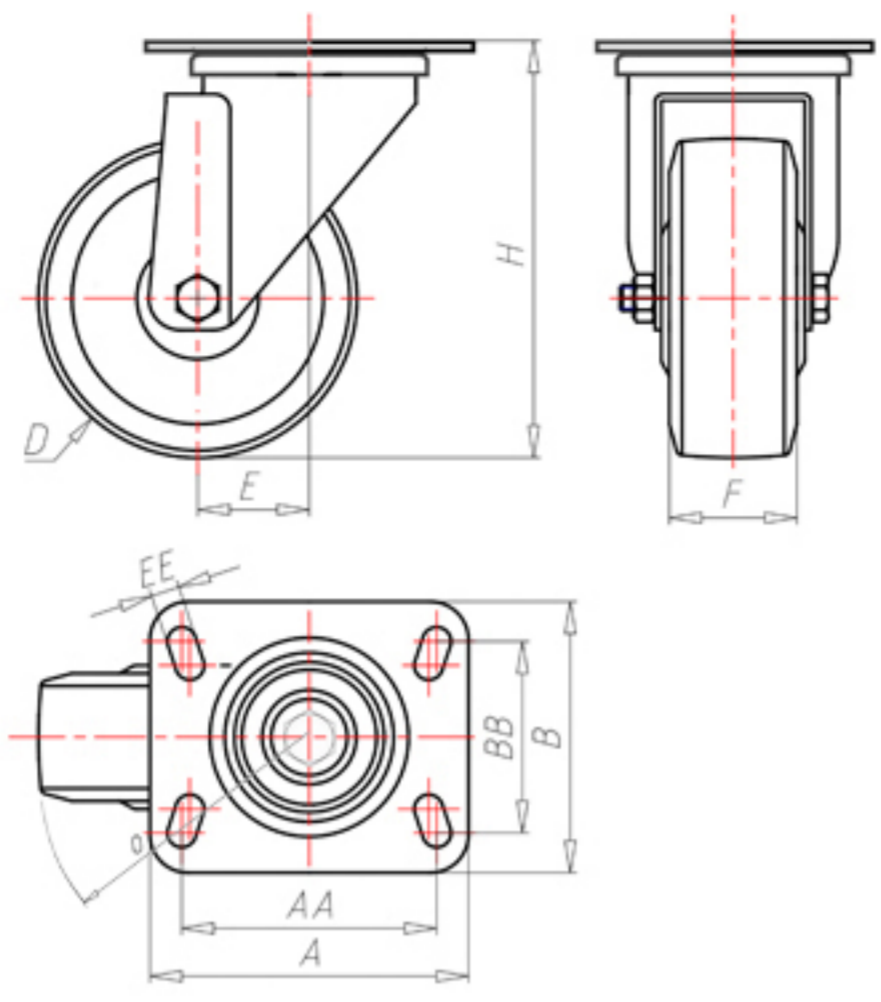




82 Shore A
+90°C
-40°C

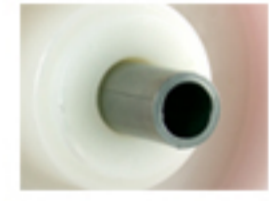


	D	100
	F	33
	H	131
	AxB	100x85
	AAxBB	80x60
	EE	9
	E	42
	O	92
	LC	250



Code for plain bore wheel

XSGZ10045P



Code for wheel with roller bearing

XSGZ10045PR



Code for wheel with double sealed ball bearing

XSGZ100PC



Code for wheel with double sealed Inox ball bearing

-

