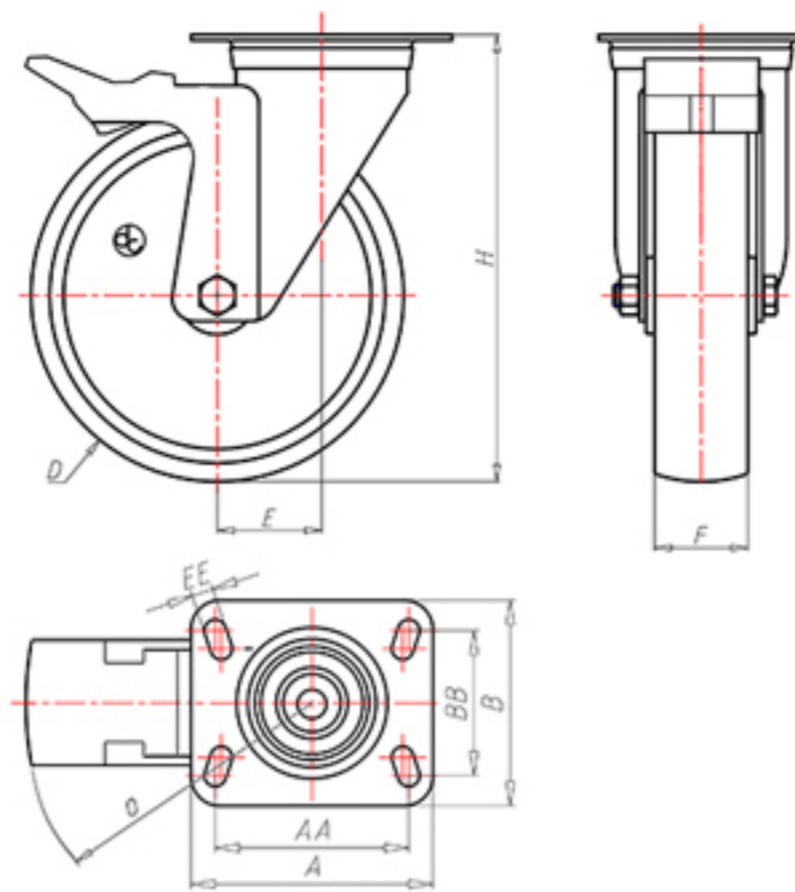


D-FLEX

82 Shore A
+90°C
-40°C

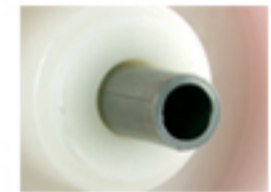


	D	125
	F	35
	H	155
	AxB	100x85
	AAxBB	80x60
	EE	9
	E	44
	O	124
	LC	230



Code for plain bore wheel

XSGZ12545FA



Code for wheel with Inox roller bearing

XSGZ12545RFA



Code for wheel with double sealed ball bearing

XSGZ125CFA



Code for wheel with double sealed Inox ball bearing

-

