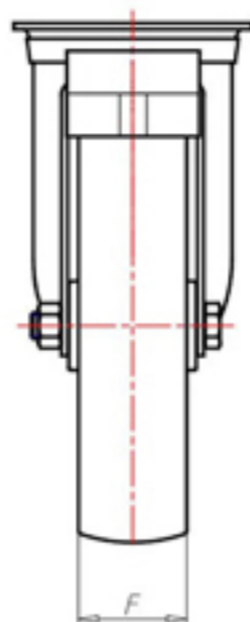
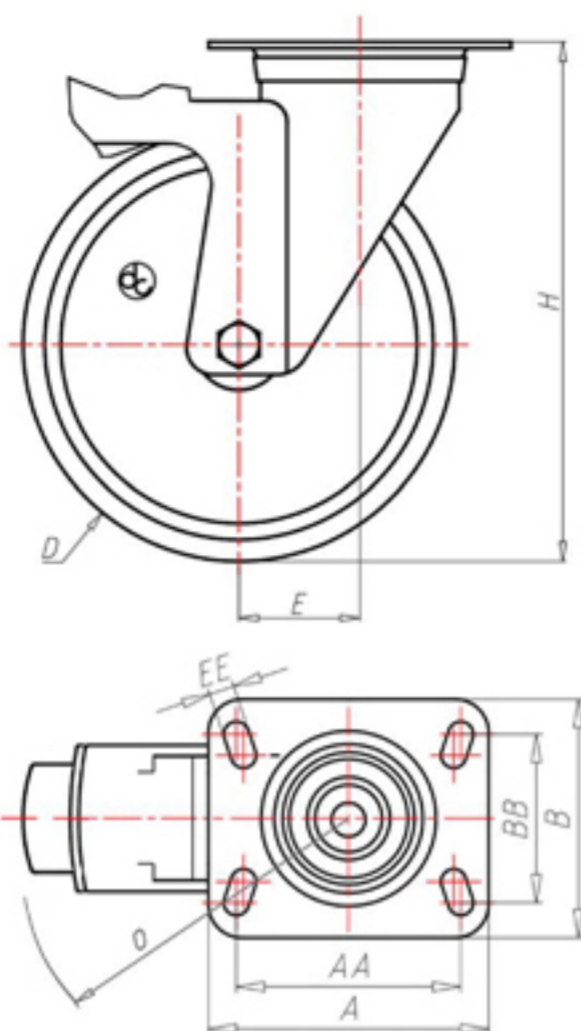


D-FLEX

82 Shore A  
+90°C  
-40°C



	D	150
	F	40
	H	181
	AxB	100x85
	AAxBB	80x60
	EE	9
	E	46
	O	124
	LC	250



Code for plain bore wheel

**XSGZ15045FS**



Code for wheel with Inox roller bearing

**XSGZ15045RFS**



Code for wheel with double sealed ball bearing

**XSGZ15045CFS**



Code for wheel with double sealed Inox ball bearing

-

