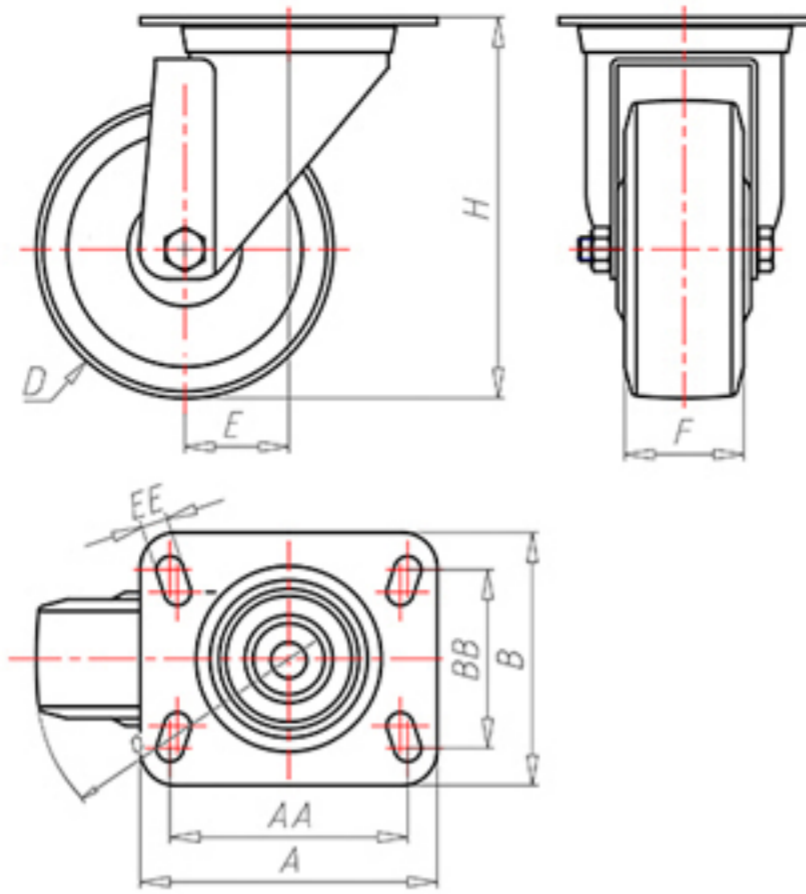


**D-FLEX**

82 Shore A  
+90°C  
-40°C



	D	150
	F	40
	H	181
	AxB	135x110
	AAxBB	105x80
	EE	11
	E	52
	O	120
	LC	350



Code for plain bore wheel

**XSGZ15060**



Code for wheel with Inox roller bearing

**XSGZ15060R**



Code for wheel with double sealed ball bearing

**XSGZ15060C**



Code for wheel with double sealed Inox ball bearing

-

