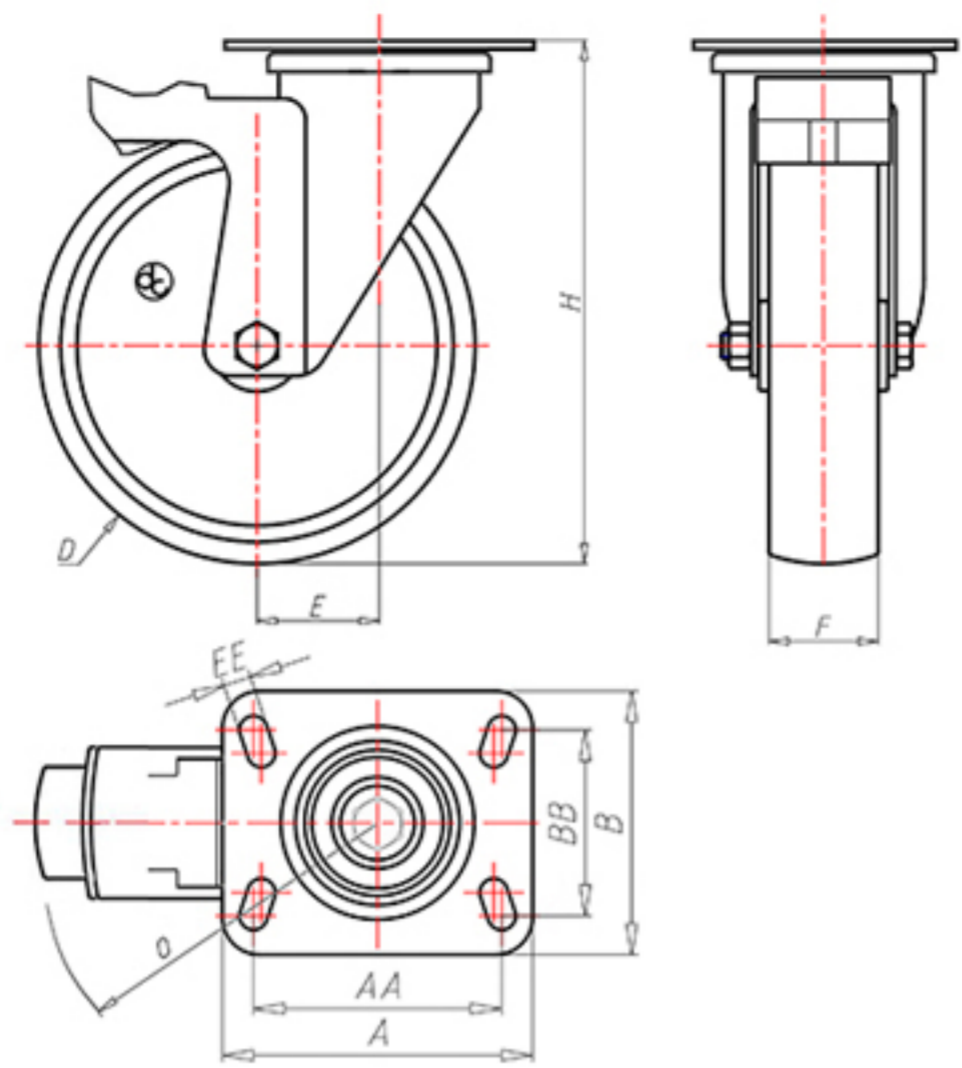




82 Shore A  
+90°C  
-40°C

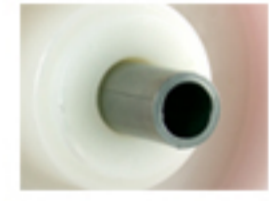


	D	80
	F	33
	H	110
	AxB	100x85
	AAxBB	80x60
	EE	9
	E	40
	O	104
	LC	210



Code for plain bore wheel

**XSGZ8040PFS**



Code for wheel with roller bearing

**XSGZ8040PRFS**



Code for wheel with double sealed ball bearing

**XSGZ8040PCFS**



Code for wheel with double sealed Inox ball bearing

-

