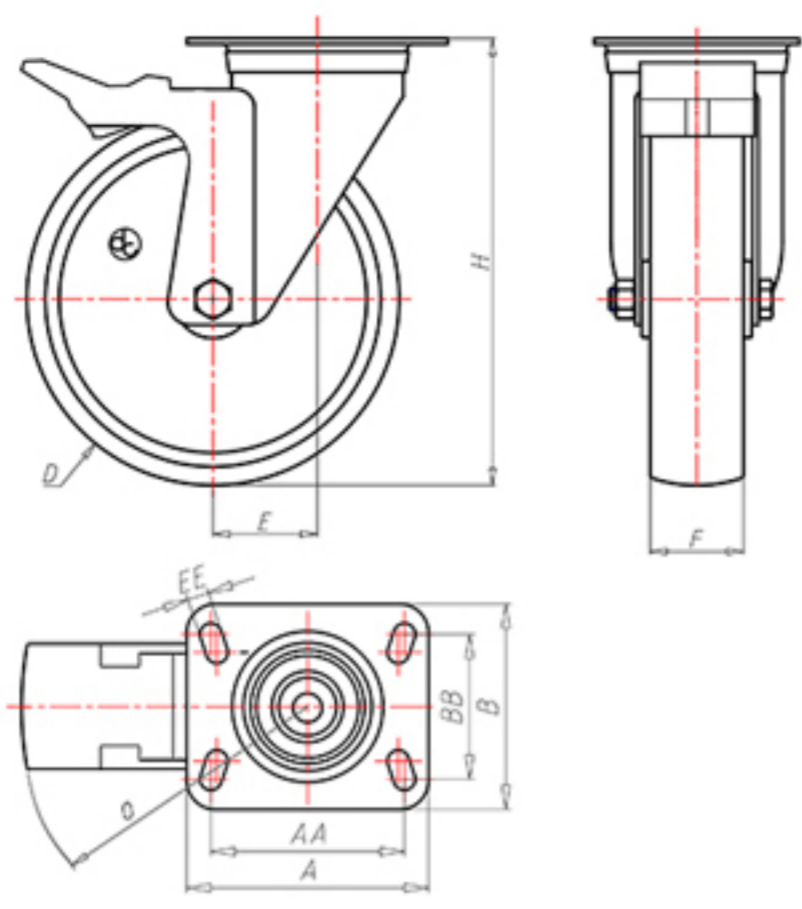




82 Shore A  
+90°C  
-40°C



	D	80
	F	33
	H	108
	AxB	100x85
	AAxBB	80x60
	EE	9
	E	40
	O	124
	LC	200



Code for plain bore wheel

**XSGZ8045FA**



Code for wheel with Inox roller bearing

**XSGZ8045RFA**



Code for wheel with double sealed ball bearing

**XSGZ80CFA**



Code for wheel with double sealed Inox ball bearing

-

