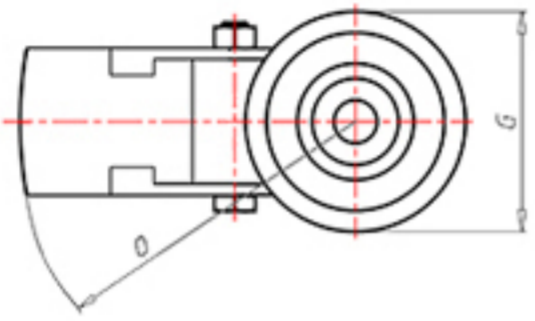
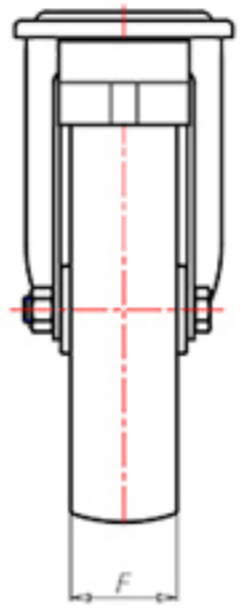
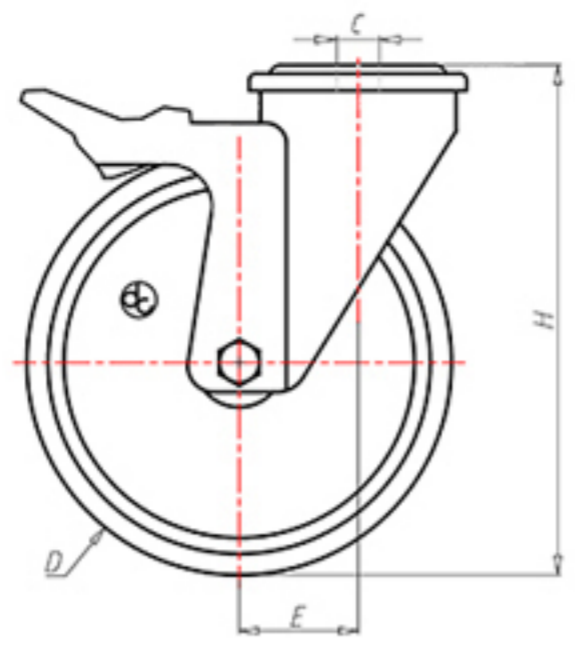




82 Shore A  
+90°C  
-40°C

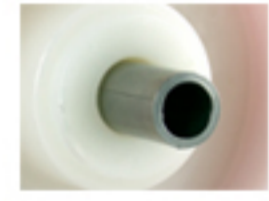


	D	150
	F	40
	H	181
	G	Ø 77
	C	Ø 12
	E	46
	O	124
	LC	250



Code for plain bore wheel

**XSPX15045FA**



Code for wheel with Inox roller bearing

**XSPX15045RXFA**



Code for wheel with double sealed ball bearing

**XSPX15045CFA**



Code for wheel with double sealed Inox ball bearing

**XSPX15045CXFA**

