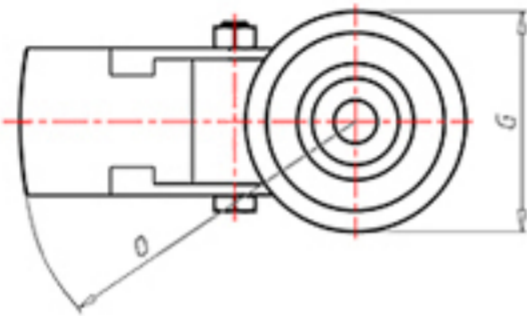
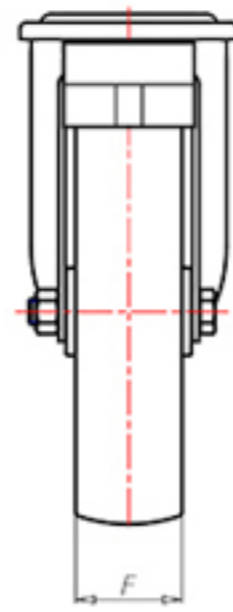
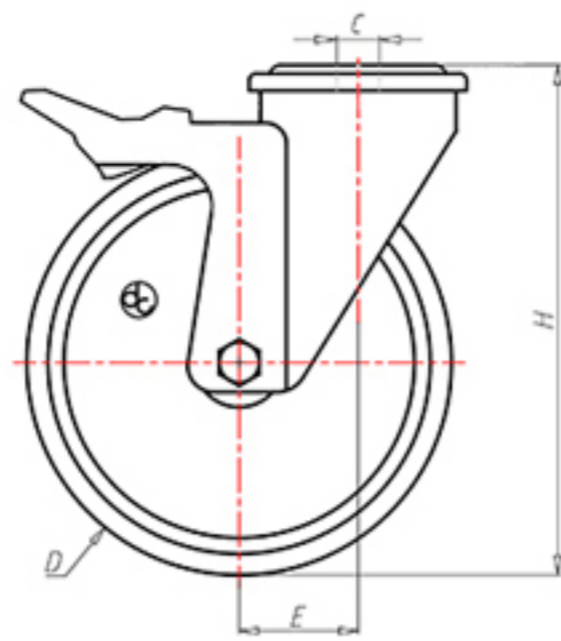


D-FLEX

82 Shore A
+90°C
-40°C

INOX

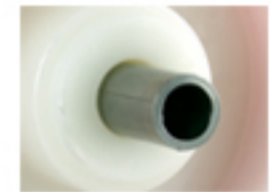


	D	80
	F	33
	H	108
	G	Ø 77
	C	Ø 12
	E	40
	O	124
	LC	200



Code for plain bore wheel

XSPX8045FA



Code for wheel with Inox roller bearing

XSPX8045RXFA



Code for wheel with double sealed ball bearing

XSPX80CFA



Code for wheel with double sealed Inox ball bearing

XSPX80CXFA

