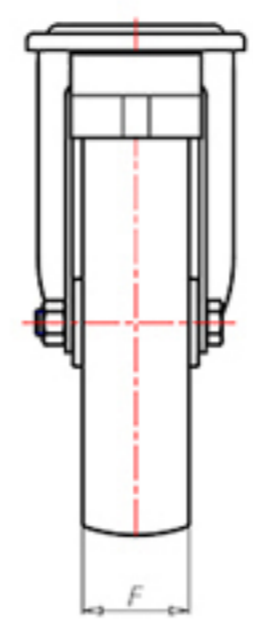
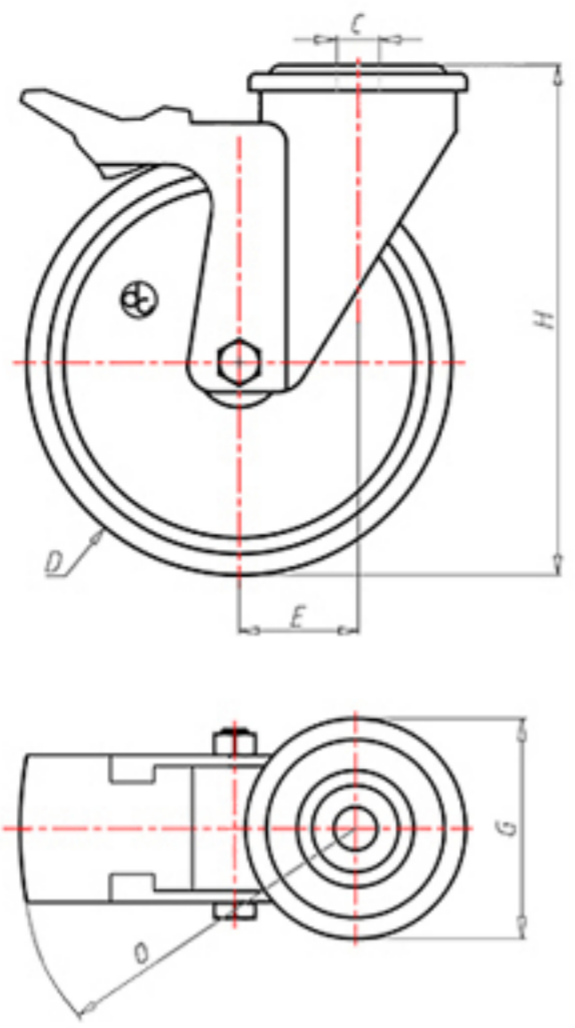


D-FLEX

82 Shore A
+90°C
-40°C

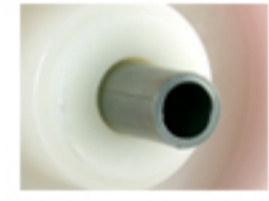


	D	100
	F	33
	H	128
	G	Ø 77
	C	Ø 12
	E	42
	O	124
	Kg LC	220



Code for plain bore wheel

XSPZ10040FA



Code for wheel with roller bearing

XSPZ10040RFA



Code for wheel with double sealed ball bearing

XSPZ10040CFA



Code for wheel with double sealed Inox ball bearing

-

