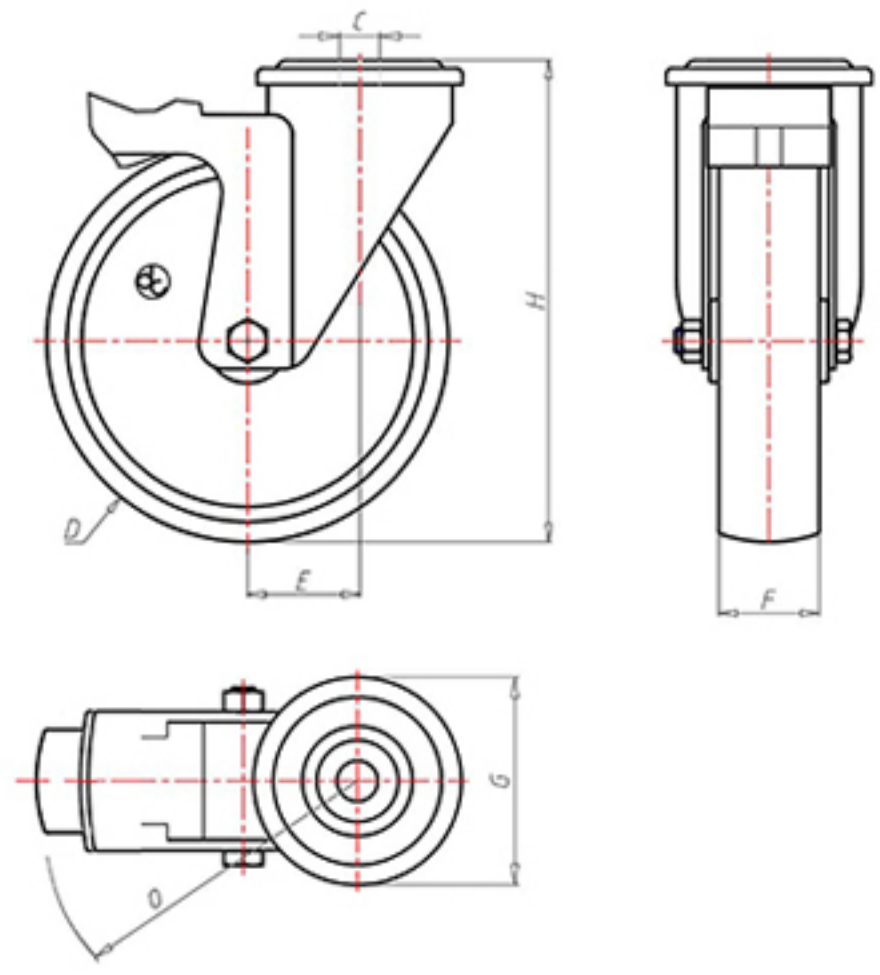




82 Shore A
+90°C
-40°C

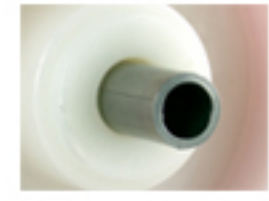


	D	100
	F	33
	H	128
	G	Ø 77
	C	Ø 12
	E	42
	O	104
	LC	220



Code for plain bore wheel

XSPZ10040FS



Code for wheel with roller bearing

XSPZ10040RFS



Code for wheel with double sealed ball bearing

XSPZ10040CFS



Code for wheel with double sealed Inox ball bearing

-

