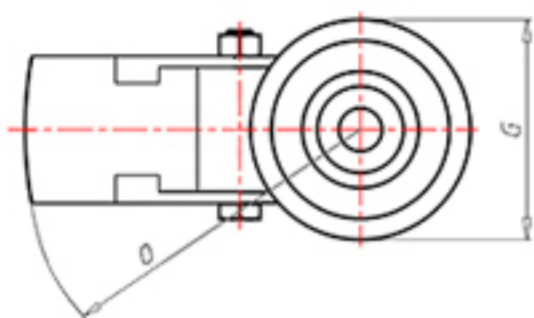
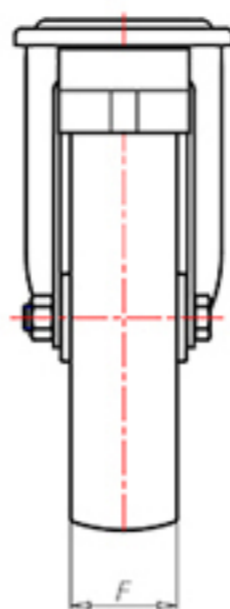
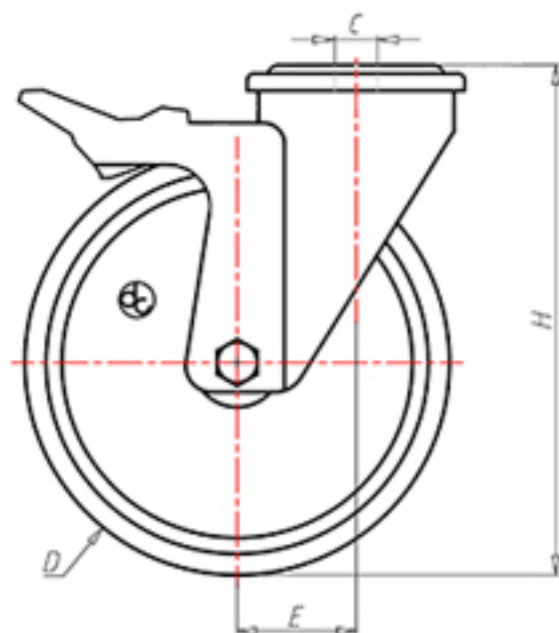


D-FLEX

82 Shore A
+90°C
-40°C



	D	125
	F	35
	H	155
	G	Ø 77
	C	Ø 12
	E	44
	O	124
	LC	230



Code for plain bore wheel

XSPZ12545FA



Code for wheel with roller bearing

XSPZ12545RFA



Code for wheel with double sealed ball bearing

XSPZ125CFA



Code for wheel with double sealed Inox ball bearing

-

