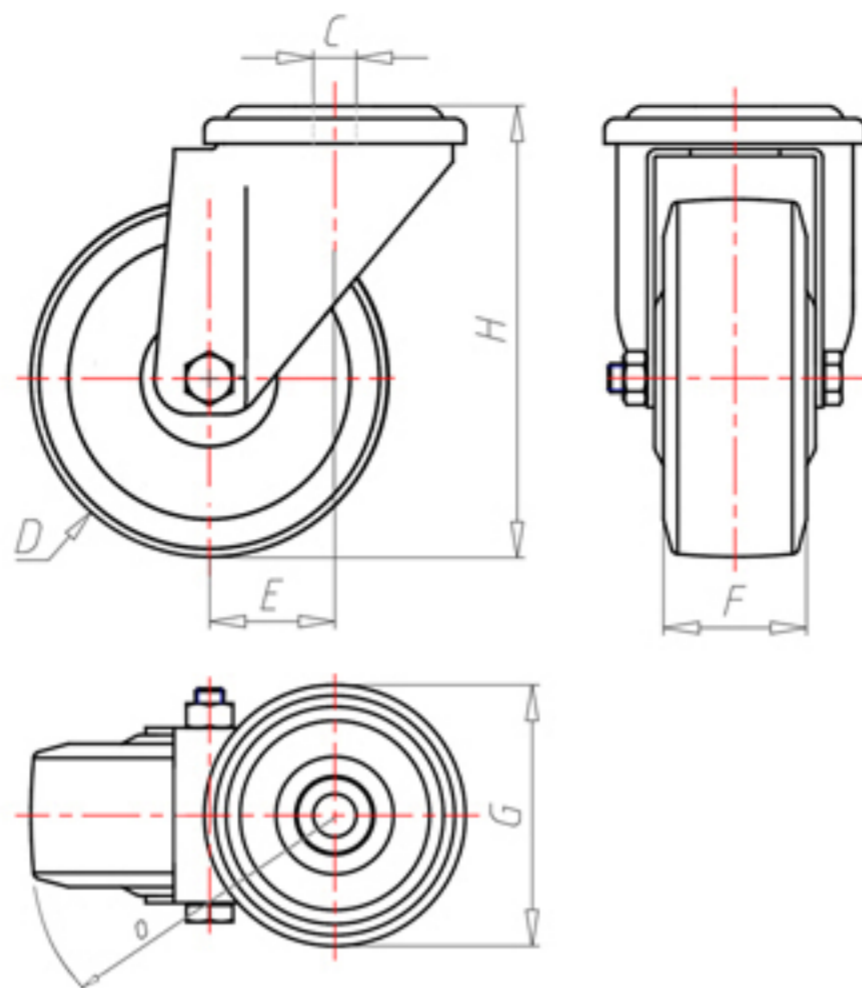


D-FLEX

82 Shore A
+90°C
-40°C



	D	150
	F	40
	H	181
	G	Ø 102
	C	Ø 16
	E	52
	O	124
	LC	350



Code for plain bore wheel

XSPZ15060



Code for wheel with roller bearing

XSPZ15060R



Code for wheel with double sealed ball bearing

XSPZ15060C



Code for wheel with double sealed Inox ball bearing

-

