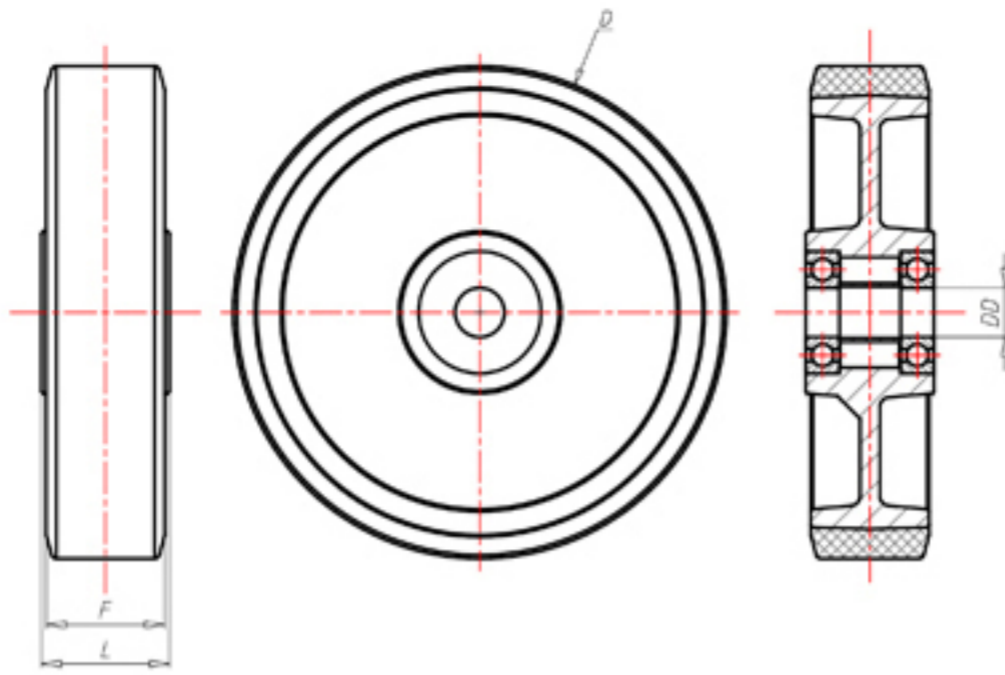


**DITHERM  
XTW**

+400°C  
-50°C



	D	200
	F	50
	L	58
	DD	Ø 20
	LC	900



Code for plain bore wheel

**XTW200**



Code for wheel with coated bush

-



Code for wheel with double BT self-lube bush

-



Code for wheel with double HT ball bearing

-

